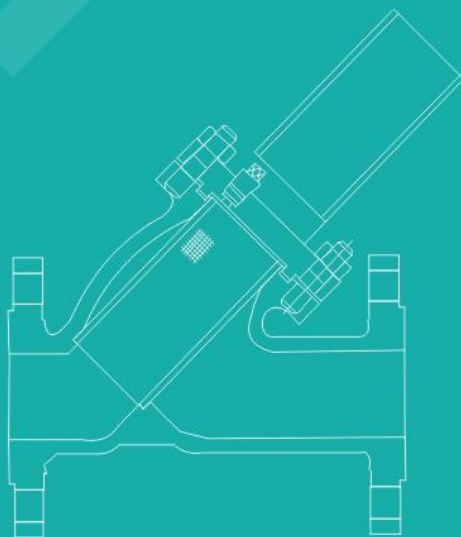




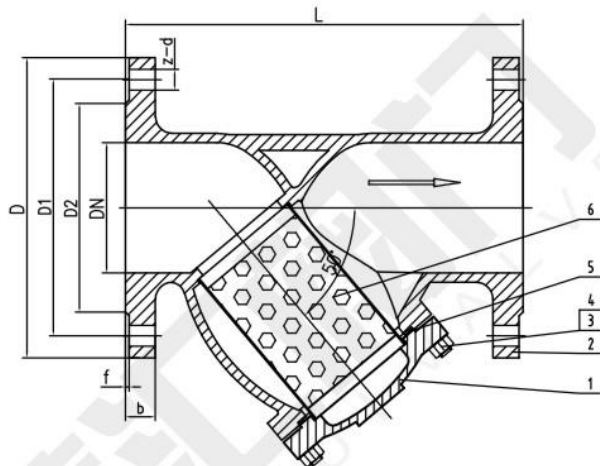
# 过滤器系列

## ***FILTER SERIES***



## Y-TYPE FILTER Y型过滤器

GL41W-16C/P/R



### 产品概述 Products overview

Y型过滤器是输送介质的管道系统不可缺少的一种过滤装置，Y型过滤器通常安装在减压阀、泄压阀、定水位阀或其它设备的进口端，用来清除介质中的杂质，以保护阀门及设备的正常使用。Y型过滤器具有结构先进，阻力小，排污方便等特点。Y型过滤器适用介质可为水、油、气。一般通水网为18~30目，通气网为10~100目，通油网为100~480目。篮式过滤器主要由接管、主管、滤蓝、法兰、法兰盖及紧固件等组成。当液体通过主管进入滤蓝后，固体杂质颗粒被阻挡在滤蓝内，而洁净的流体通过滤蓝、由过滤器出口排出。

Y type filter is the medium of pipeline system is indispensable to a filtering device, Y type strainer is usually installed in a reducing valve, relief valve and the inlet water valve or other equipment, used to remove the impurity in the medium, in order to protect the valves and equipment normal use. Y type filter has the advanced structure, small resistance and easy drainage, etc. Y type filter suitable medium for water, oil and gas. Generally water network are 18 ~ 30 mu, ventilation network are 10 ~ 100 mesh, oil network 100 ~ 480 mesh. Basket strainer is mainly composed of takeover, director, filter blue, flange, flange cover, and fasteners, etc. When the liquid by supervisor into the filter can solid impurity particles will be blocked after blue within the blue filter, and clean fluid through the blue filter, the filter outlet.

### 基本参数

介质温度：300(°C)  
工作压差：2KG  
材质：不锈钢  
产品别名：Y型过滤器  
适用范围：液体过滤  
连接形式：法兰  
类型：直角式  
流动方向：单向  
适用介质：水  
压力环境：常压

### Basic parameters

Medium temperature: 300 °C  
Working pressure difference: 2 kg  
Material: stainless steel  
Product alias: Y type filter  
Scope of application: liquid filtration  
Connection: flange  
Type: the right Angle  
Flow direction: one way  
Applicable medium: water  
Pressure: the atmospheric pressure

### 产品执行标准 Production enforce standard

产品规范 Product Specification	设计规范 Design Spec	结构长度 Face to Face	连接法兰 Flange End	试验与检验 Test & Check	产品标识 Marking	供货规范 Supply
	HG/T21637-2021	GB/T12221-2005	HG/T20592-2009	GB/T13927-2008	GB/T12220	JB/T7928

### 产品性能规范 Chief property and specification

型号 Type	连接方式 Conjunction method	公称压力 PN(MPa)	耐压试验压力 (MPa)	工作压力 (MPa)	壳体材料 Material	过滤网材料 Strainer material	网总面积
SY4P-10	法兰Flange	1.0	1.1	1.0	灰铸铁 Cast ferrosteeel	不锈钢 Stainless steel	3~4DN
SY4P-16	法兰Flange	1.6	1.76	1.6	球墨铸铁 Ductile cast iron		
SY4P-25	法兰Flange	2.5	2.75	2.5	碳钢 Carbon steel		

## Y-TYPE FILTER Y型过滤器

### 主要零件材料 Material for main parts

零件名称 Parts Name	零部件材料 Part Material					
阀体/阀盖 Body/Bonnet	25	WCB	CF8	CF8M	CF3	CF3M
网架 Dis/stem	25	35	1Cr18Ni9Ti	1Cr18Ni12Mo2Ti	00Cr18Ni10	00Cr17Ni14Mo2
滤网 Strainet	1Cr18Ni9Ti		1Cr18Ni9Ti		00Cr18Ni10	
垫片 Gasket	18-8柔性石墨 18-8/Flexible Graphite					
螺栓 Bolt	35		1Cr17Ni2		1Cr18Ni9Ti	
适用温度 Suitable temp	-29~+425°C		-40~+200°C		-40~+200°C	
适用介质 Suitable medium	水、油品、蒸汽 Water, Oil, Steam		硝酸类 Nitric Acid		醋酸类 Acetic Acid	

### PN16 国标Y型过滤器

公称口径	尺寸(mm)						
	DN	L	D	D1	D2	b	f
15	130	95	65	45	16	2	4-Φ14
20	141	105	75	58	18	2	4-Φ14
25	152	115	85	68	18	2	4-Φ14
32	182	140	100	78	18	2	4-Φ18
40	202	150	110	88	18	2	4-Φ18
50	221	165	125	102	18	2	4-Φ18
65	252	185	145	122	18	2	4-Φ18
80	278	200	160	138	20	2	8-Φ18
100	298	220	180	158	20	2	8-Φ18
125	340	250	210	188	22	2	8-Φ18
150	388	285	240	212	22	2	8-Φ22
200	470	340	295	268	24	2	12-Φ22
250	535	405	355	320	26	2	12-Φ26
300	585	460	410	378	28	2	12-Φ26